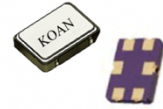


晶体滤波器 Monolithic Crystal Filters: KQ

■ Feature 特征

- Compact 7.0x5.0mm SMD monolithic crystal filter 7050 贴片晶体滤波器
- Center frequencies from 21.4MHz to 58.05MHz 中心频率覆盖 21.4MHz 到 58.05MHz
- Available in 2 or 4 poles for different selectivity levels 有 2/4 极点数选择, 满足不同需求
- Typical passband $\pm 5\text{kHz}$ to $\pm 15\text{kHz}$ at 3dB 通带宽度 $\pm 5\text{kHz}$ 到 $\pm 15\text{kHz}$
- Ideal for IF filtering in wireless communication systems, including two-way radios, satellite receivers 7050 贴片晶体滤波器应用于无线通信系统中的中频滤波, 如对讲机, 卫星接收器



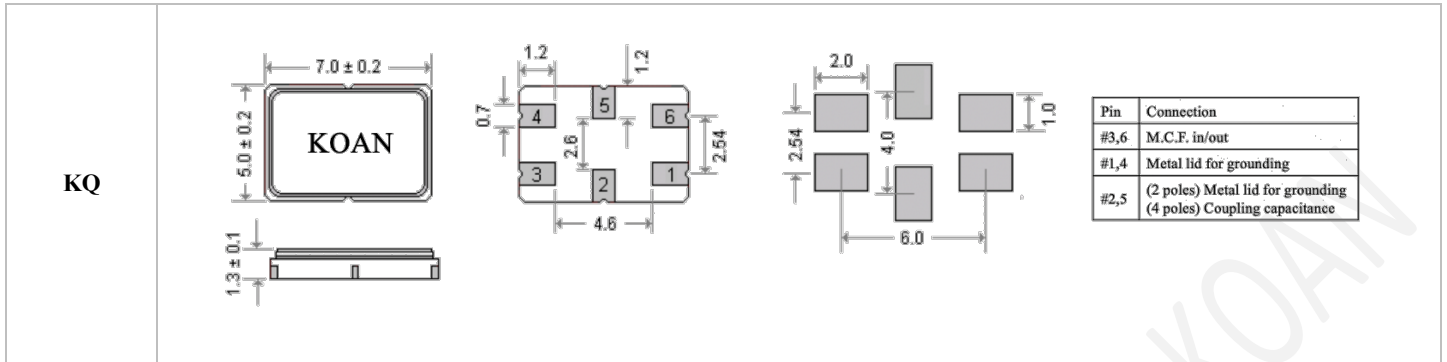
■ General Specifications 规格参考

Center Frequency	No. of Poles	Pass Band Width		Stop Band Width		Ripple	Insertion Loss	Guaranteed Attenuation		Terminating Impedance	
中心频率	极点数	通带宽度		阻带宽度		波纹	插入损耗	阻带衰减量		终端阻抗	
MHz		dB	kHz	dB	kHz	dB max	dB	dB	kHz	Ohms/pF	Cc(pF)
21.4	2	3	± 3.75	20	± 18	1.0	2.0	70	-910	850//6.0	--
	2	3	± 7.5	18	± 25	0.5	1.5	70	-910	1500//2.5	--
	4	3	± 7.5	40	± 25	1.0	3.0	70	-910	1800//0.35	5.0
	2	3	± 15	15	± 50	1.5	2.0	60	-910	2500//0	--
21.7	2	3	± 7.5	18	± 28	1.0	2.0	70	-910	1500//2.5	--
	4	3	± 7.5	40	± 25	1.0	3.0	70	-910	1700//0.35	5.0
	2	3	± 15	15	± 50	1.5	2.0	50	-910	2500//0	--
38.85	4	3	± 5.0	45	± 25	1.0	5.0	70	-910	610//3.0	14.0
44.85	4	3	± 6.5	20	± 12.5	1.0	3.0	70	-910	600//4.5	12.0
45	2	3	± 7.5	15	± 25	1.0	2.0	70	-910	560//6.0	--
	4	3	± 7.5	30	± 25	1.0	3.0	80	-910	600//2.3	7.5
	2	3	± 15	15	± 60	1.0	2.0	70	-910	1200//1.8	--
	4	3	± 15	30	± 40	1.0	3.0	70	-910	1200//1.0	2.5
46.35	4	3	± 5.0	35	± 20	1.0	5.0	70	-910	670//1.5	7.0
49.95	4	3	± 5.0	40	± 20	1.0	5.0	70	-910	400//6.0	16.0
50.85	4	3	± 5.0	45	± 25	1.0	5.0	70	-910	560//4.0	11.0
51.65	4	3	± 5.0	20	± 12.5	1.0	5.0	70	-910	560//4.0	11.0
58.05	4	3	± 4.0	38	± 20	1.0	5.0	70	-910	250//7.3	21.7

Operating Temperature	工作温度	-20~+70°C
Storage Temperature	储存温度	-50~+100°C
Aging	年老化率	$\pm 2\text{ppm}$ per year max

NOTE: Please consult for other specifications 若有其它规格需求请告知

■ Outline Dimensions (Unit: mm) 外形尺寸



■ Part Number Guide 产品编号

<u>46.35</u>	-	<u>KQ</u>	-	<u>A</u>	-	<u>15</u>
↓		↓		↓		↓
中心频率	-	型号	-	极点数	-	通带宽度 x2

21.4 MHz
21.7 MHz
38.85 MHz
44.85 MHz
45 MHz
46.35 MHz
49.95 MHz
50.85 MHz
51.65 MHz

‘K’:直插系列
(K49T/KU1/KU5)
‘KQ’: 7.0x5.0mm 贴片系列

A = 2 poles
B = 4 poles

‘7.5’ for ±3.75 kHz
‘8’ for ±4.0 kHz
‘10’ for ±5.0 kHz
‘13’ for ±6.5 kHz
‘15’ for ±7.5 kHz
‘30’ for ±15 kHz

■ Revision 版本

版本 Rev.	修改页 Revise Page	修改内容 Revise Contents	日期 Date	修改人 Reviser
0	N/A	Initial issue	2020.09.27	JZ
1.0	1	Merge the specs	2025.07.01	JZ